



Radio Frequency Probes

HF86FAKRAf016G775MCXfF

Order code 1142304

General

Design	Coaxial Probe
Family	HF86
Pitch [mm/mil]	7.40 / 290
Temperature [C°]	-45°C...+100°C

Electrical specifications

Continuous current [A]	10.00
Impedance [ohm]	50.00
Frequency [GHz]	6.00
Continuous current 2 [A]	3.00

Inner contact specifications

Nominal travel 2 [mm]	1.50
Maximum travel 2 [mm]	2.90
Preload 2 [cN]	50.00
Spring force 2 [cN]	110.00

Mechanical specifications

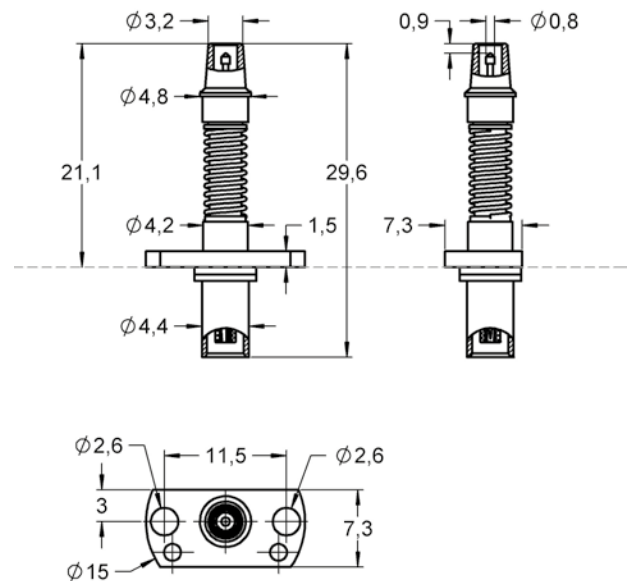
Preload [cN]	500.00
Spring force [cN]	665.00
Nominal travel [mm]	2.00
Maximum travel [mm]	3.00
Connection type (flux-proof)	Plug
DUT	FAKRA-FEMALE

Dimensions

Total length [mm]	29.58
Projection height [mm]	19.58
Tip style diameter [mm]	4.80
Inside/outside distance [mm]	0.90
Tip style diameter 2 [mm]	0.80

Family drawing

All measurements are in mm.



Materials & surfaces

Tip style	50
Tip style 2	02
Tip style material	Beryllium copper
Tip style plating	Gold
Plunger material	Brass
Plunger plating	Gold
Barrel material	Brass
Barrel plating	Gold
Spring material	High-grade steel
Spring plating	Uncoated
Plunger material 2	Beryllium copper
Plunger plating 2	Gold
Spring material 2	Spring steel
Spring plating 2	Gold

Accessories

Other	1022553-HFAEMCXm3GBNCmL700, 1022552-HFAEMCXm3GSMAmL700, 1033199-HFAEMCXm6GSMAmL1500, 1012580-HFAEMCXm10GSMAmL700, 1012574-HFAEMCXm0GLAL700
-------	--

Tip style 1



Tip style 2

