



Pogo Connectors

P50006S260R200L126S

Order code 1136000

General

Design	Basic Contact Probe
Family	P / P500-L126
Pitch [mm/mil]	5.50 / 216

Electrical specifications

Continuous current [A]	20.00
Typical contact resistance [mOhm]	30.00

Mechanical specifications

Preload [cN]	100.00
Spring force [cN]	200.00
Nominal travel [mm]	2.00
Maximum travel [mm]	2.20
Pointing accuracy +/- [mm]	0.20
Thread	M3
Tool size [mm]	3.5
Connection type (flux-proof)	Thread

Dimensions

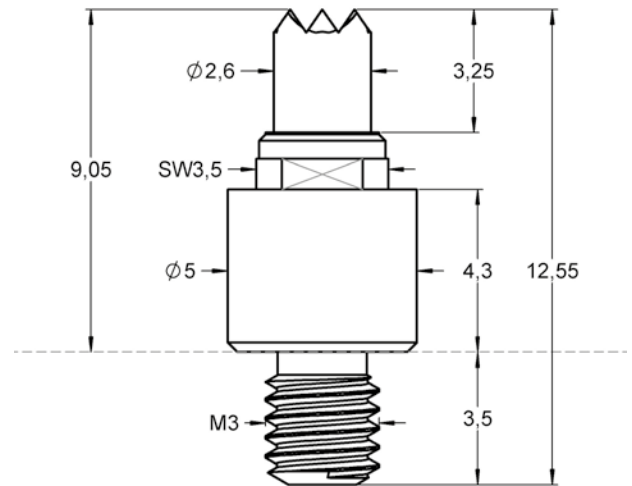
Total length [mm]	12.55
Projection height [mm]	9.05
Tip style diameter [mm]	2.60
Barrel diameter [mm]	5.00
Collar diameter [mm]	4.10
Press ring diameter [mm]	4.10

Materials & surfaces

Tip style	06
Plunger material	Steel
Plunger plating	Rhodium
Barrel material	Bronze
Barrel plating	Gold
Spring material	High-grade steel
Spring plating	Uncoated

Family drawing

All measurements are in mm.



Accessories

Tool for probe	1009775-FWZ735T, 1005063-FWZ735
----------------	------------------------------------

Tip style 1

