



Pogo Connectors

P06011B040G035L010

Order code 1111356

General

Design	Basic Contact Probe
Family	P / P060-L010
Pitch [mm/mil]	1.27 / 50
Temperature [C°]	-45°C...+100°C

Electrical specifications

Continuous current [A]	1.00
Typical contact resistance [mOhm]	100.00

Mechanical specifications

Preload [cN]	0.10
Spring force [cN]	0.30
Nominal travel [mm]	0.20
Maximum travel [mm]	0.22
Pointing accuracy +/- [mm]	0.05

Dimensions

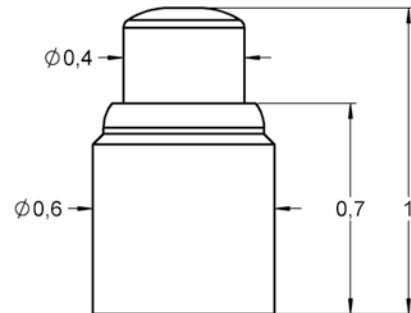
Total length [mm]	1.00
Projection height [mm]	0.32
Tip style diameter [mm]	0.40
Barrel diameter [mm]	0.60

Materials & surfaces

Tip style	11
Plunger material	Beryllium copper
Plunger plating	Gold
Barrel material	Bronze
Barrel plating	Gold
Spring material	Spring steel
Spring plating	Gold

Family drawing

All measurements are in mm.



Tip style 1

