



Switch Probes

F88890S1101U130S035

Order code 1132733

General

Family	F888
Pitch [mm/mil]	5.00 / 197
Temperature [C°]	-45°C...+100°C

Electrical specifications

Continuous current [A]	1.00
Typical contact resistance [mOhm]	25.00
Switch type	NO (Normal Open)
Switch travel [mm]	0.35
Continuous current 2 [A]	5.00

Mechanical specifications

Preload [cN]	90.00
Spring force [cN]	130.00
Nominal travel [mm]	0.80
Maximum travel [mm]	0.85
Thread	M4X0.35
Tool size [mm]	3

Dimensions

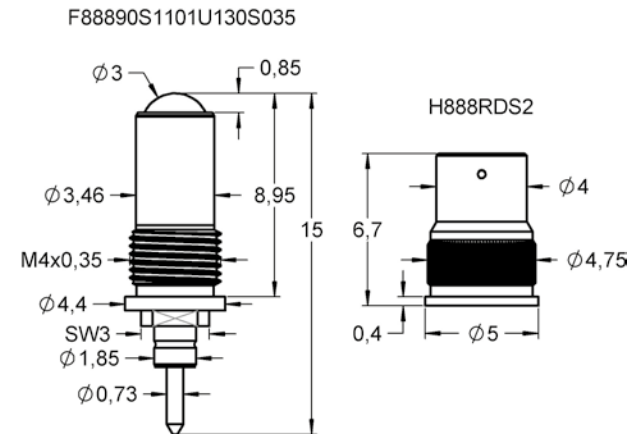
Total length [mm]	15.00
Projection height [mm]	8.95
Tip style diameter [mm]	3.00
Barrel diameter [mm]	3.46
Collar diameter [mm]	4.40
Press ring diameter [mm]	4.40

Materials & surfaces

Tip style	90
Plunger material	Steel
Plunger plating	Uncoated
Barrel material	Brass
Barrel plating	Gold
Spring material	Spring steel
Spring plating	Uncoated

Family drawing

All measurements are in mm.



Accessories

Other	1143202-H888RDS2
-------	------------------

Tip style 1

