



Radio Frequency Probes

HF66UFL016G520SMAf

Order code 1133652

General

Design	Coaxial Probe
Family	HF66
Pitch [mm/mil]	9.00 / 354
Temperature [C°]	-45°C...+100°C

Electrical specifications

Continuous current [A]	0.50
Impedance [ohm]	50.00
Frequency [GHz]	6.00
Continuous current 2 [A]	0.10

Inner contact specifications

Nominal travel 2 [mm]	0.50
Maximum travel 2 [mm]	0.80
Preload 2 [cN]	95.00
Spring force 2 [cN]	120.00

Mechanical specifications

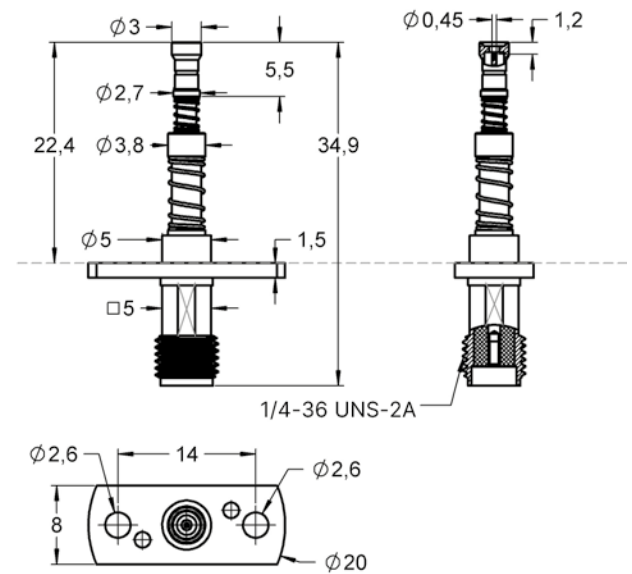
Preload [cN]	50.00
Spring force [cN]	400.00
Nominal travel [mm]	4.20
Maximum travel [mm]	5.30
Connection type (flux-proof)	SMA
DUT	U.FL

Dimensions

Total length [mm]	34.90
Projection height [mm]	22.40
Tip style diameter [mm]	3.00
Barrel diameter [mm]	3.80
Inside/outside distance [mm]	1.20
Tip style diameter 2 [mm]	0.45

Family drawing

All measurements are in mm.



Materials & surfaces

Tip style	09
Tip style 2	16
Plunger material	Beryllium copper
Plunger plating	Gold
Barrel material	Beryllium copper
Barrel plating	Gold
Spring material	High-grade steel
Spring plating	Uncoated
Plunger material 2	Beryllium copper
Plunger plating 2	Gold
Spring material 2	High-grade steel
Spring plating 2	Uncoated

Tip style 1



Tip style 2

