



Radio Frequency Probes

## HF76HFMf0120G635MSMPmS

Order code 1139303

### General

Design	Coaxial Probe
Family	HF76
Pitch [mm/mil]	4.00 / 157.5

### Electrical specifications

Impedance [ohm]	50.00
Frequency [GHz]	20.00

### Inner contact specifications

Nominal travel 2 [mm]	0.70
Maximum travel 2 [mm]	1.50
Preload 2 [cN]	100.00
Spring force 2 [cN]	125.00

### Mechanical specifications

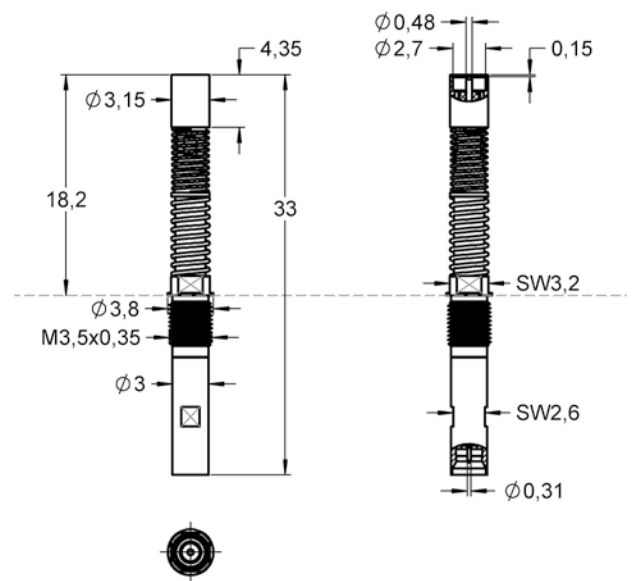
Preload [cN]	175.00
Spring force [cN]	510.00
Nominal travel [mm]	3.20
Maximum travel [mm]	4.10
Thread	M3.5X0.35
Tool size [mm]	3.2
Connection type (flux-proof)	STECKER
DUT	HFM female

### Dimensions

Total length [mm]	33.00
Projection height [mm]	18.20
Tip style diameter [mm]	3.15
Barrel diameter [mm]	3.80
Inside/outside distance [mm]	-0.15
Tip style diameter 2 [mm]	0.48

### Family drawing

All measurements are in mm.



### Materials & surfaces

Tip style	16
Tip style 2	11
Plunger material	Beryllium copper
Plunger plating	Gold
Barrel material	Brass
Barrel plating	Gold
Spring material	Spring steel
Spring plating	Gold
Plunger material 2	Beryllium copper
Plunger plating 2	Gold
Spring material 2	Spring steel
Spring plating 2	Gold