



Radio Frequency Probes

HF76MATEAXm0120G630MSMPmS

Order code 1139313

General

Design	Coaxial Probe
Family	HF76
Pitch [mm/mil]	4.00 / 157.5

Electrical specifications

Impedance [ohm]	50.00
Frequency [GHz]	20.00

Inner contact specifications

Nominal travel 2 [mm]	0.70
Maximum travel 2 [mm]	1.50
Preload 2 [cN]	100.00
Spring force 2 [cN]	120.00

Mechanical specifications

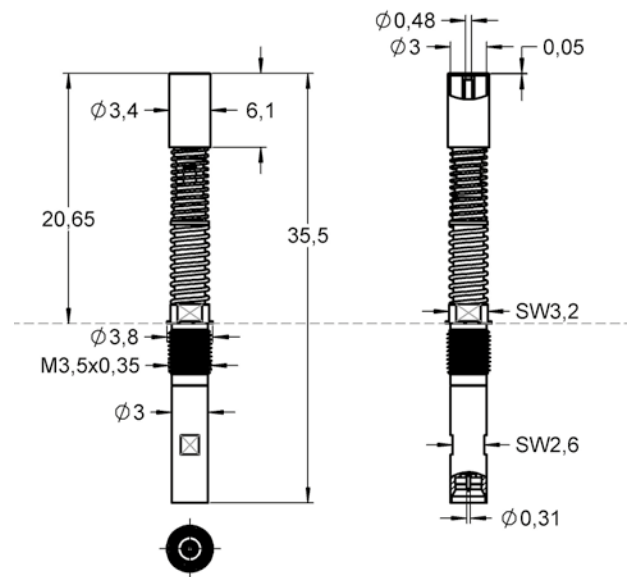
Preload [cN]	165.00
Spring force [cN]	510.00
Nominal travel [mm]	5.00
Maximum travel [mm]	6.30
Thread	M3.5X0.35
Tool size [mm]	3.2
Connection type (flux-proof)	STECKER
DUT	MATE-AX male

Dimensions

Total length [mm]	35.45
Projection height [mm]	20.65
Tip style diameter [mm]	3.40
Barrel diameter [mm]	3.80
Inside/outside distance [mm]	-0.05
Tip style diameter 2 [mm]	1.00

Family drawing

All measurements are in mm.



Materials & surfaces

Tip style	16
Plunger material	Plastic
Plunger plating	Uncoated
Barrel material	Brass
Barrel plating	Gold
Spring material	Spring steel
Spring plating	Gold
Plunger material 2	Beryllium copper
Plunger plating 2	Gold
Spring material 2	Spring steel
Spring plating 2	Gold