



Radio Frequency Probes

## HF66PSMPm016G500SMAfF

Order code 1131577

### General

Family HF66

### Electrical specifications

Impedance [ohm] 50.00  
Frequency [GHz] 6.00

### Inner contact specifications

Nominal travel 2 [mm] 2.00  
Maximum travel 2 [mm] 3.00  
Preload 2 [cN] 55.00  
Spring force 2 [cN] 100.00

### Mechanical specifications

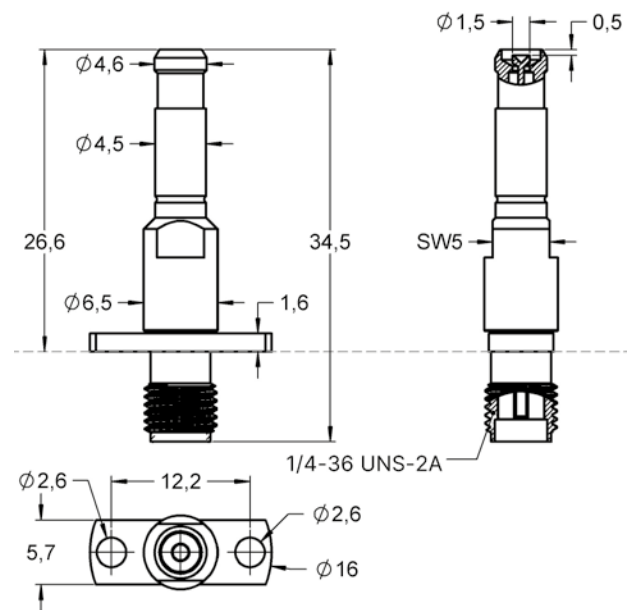
Preload [cN] 150.00  
Spring force [cN] 400.00  
Nominal travel [mm] 2.00  
Maximum travel [mm] 3.00  
Tool size [mm] 5  
DUT PSMP

### Dimensions

Total length [mm] 34.50  
Projection height [mm] 25.00  
Tip style diameter [mm] 4.60  
Barrel diameter [mm] 6.50  
Tip style diameter 2 [mm] 1.50

### Family drawing

All measurements are in mm.



### Materials & surfaces

Tip style 2	05
Tip style material	Beryllium copper
Tip style plating	Gold
Barrel material	Brass
Barrel plating	Gold
Spring material	Spring steel
Spring plating	Uncoated
Plunger material 2	Beryllium copper
Plunger plating 2	Gold
Spring material 2	Spring steel
Spring plating 2	Gold

Tip style 2

