



Radio Frequency Probes

## HF860SMAm014G530MCxfP

Order code 1160679

### General

Design	Coaxial Probe
Family	HF860
Pitch [mm/mil]	6.00 / 236
Temperature [C°]	-45°C...+100°C

### Electrical specifications

Continuous current [A]	10.00
Impedance [ohm]	50.00
Frequency [GHz]	4.00
Continuous current 2 [A]	3.00

### Inner contact specifications

Nominal travel 2 [mm]	2.00
Maximum travel 2 [mm]	2.70
Preload 2 [cN]	75.00
Spring force 2 [cN]	130.00

### Mechanical specifications

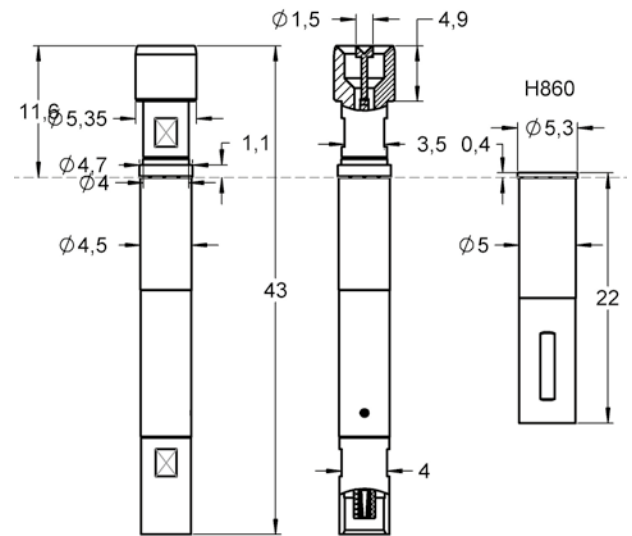
Preload [cN]	90.00
Spring force [cN]	400.00
Nominal travel [mm]	4.00
Maximum travel [mm]	5.00
Tool size [mm]	3.5/4.0
Connection type (flux-proof)	Plug
DUT	SMA-Male

### Dimensions

Total length [mm]	43.00
Projection height [mm]	11.50
Tip style diameter [mm]	5.35
Barrel diameter [mm]	4.50
Collar diameter [mm]	4.70
Press ring diameter [mm]	4.70
Tip style diameter 2 [mm]	1.50

### Family drawing

All measurements are in mm.



### Materials & surfaces

Tip style	50
Tip style 2	05
Plunger material	Beryllium copper
Plunger plating	Gold
Barrel material	Brass
Barrel plating	Gold
Spring material	High-grade steel
Spring plating	Uncoated
Plunger material 2	Beryllium copper
Plunger plating 2	Gold
Spring material 2	Spring steel
Spring plating 2	Gold