



Radio Frequency Probes

**HF819HSDm013G1270H819AESP**

Order code 1090175

**General**

Design	Coaxial Probe
Family	HF819
Pitch [mm/mil]	12.0 / 472
Temperature [C°]	-45°C...+100°C

**Electrical specifications**

Continuous current [A]	10.00
Typical contact resistance [mOhm]	1.00
Impedance [ohm]	100.00
Frequency [GHz]	3.00
Continuous current 2 [A]	3.00

**Inner contact specifications**

Nominal travel 2 [mm]	2.00
Maximum travel 2 [mm]	3.10
Preload 2 [cN]	75.00
Spring force 2 [cN]	130.00

**Mechanical specifications**

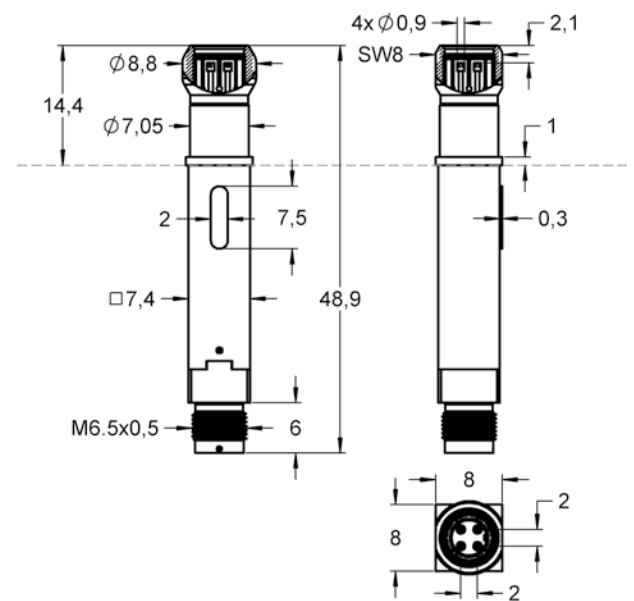
Preload [cN]	300.00
Spring force [cN]	750.00
Nominal travel [mm]	5.00
Maximum travel [mm]	6.00
Tool size [mm]	8
Connection type (flux-proof)	Connection Element
DUT	HSD-Connector Male

**Dimensions**

Total length [mm]	50.00
Projection height [mm]	14.40
Tip style diameter [mm]	8.81
Barrel diameter [mm]	7.40
Collar diameter [mm]	8.00
Press ring diameter [mm]	8.00
Inside/outside distance [mm]	2.35
Tip style diameter 2 [mm]	1.20

**Family drawing**

All measurements are in mm.



**Materials & surfaces**

Tip style	55
Tip style 2	55
Plunger material	Brass
Plunger plating	Gold
Barrel material	Brass
Barrel plating	Gold
Spring material	High-grade steel
Spring plating	Uncoated
Plunger material 2	Beryllium copper
Plunger plating 2	Gold
Spring material 2	Spring steel
Spring plating 2	Gold

**Accessories**

Tool for probe	1035933-FZWZ-005
Other	1034922-H819AESLAL027

Tip style 1

