



Basic Contact Probes

F58806B150G200

Order code 1092096

General

Design	Basic Contact Probe
Family	F588
Pitch [mm/mil]	2.54 / 100
Temperature [C°]	-45°C...+80°C

Electrical specifications

Continuous current [A]	5.00
Typical contact resistance [mOhm]	30.00

Mechanical specifications

Preload [cN]	75.00
Spring force [cN]	200.00
Nominal travel [mm]	9.30
Maximum travel [mm]	11.70
Pointing accuracy +/- [mm]	0.10

Dimensions

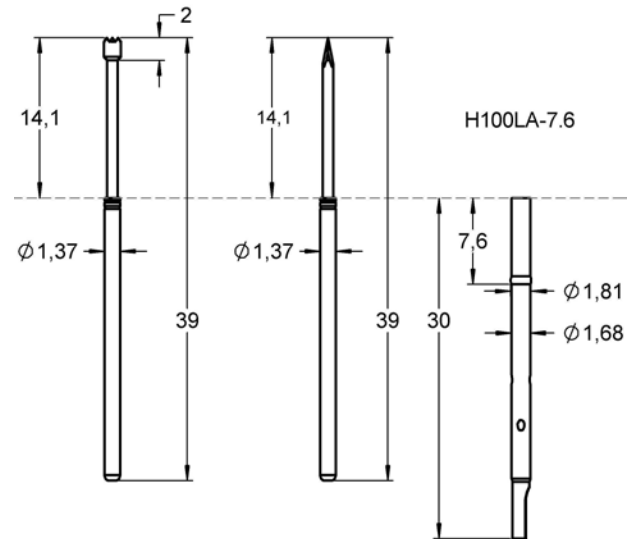
Total length [mm]	39.00
Projection height [mm]	14.10
Tip style diameter [mm]	1.50
Barrel diameter [mm]	1.37

Materials & surfaces

Tip style	06
Plunger material	Beryllium copper
Plunger plating	Gold
Barrel material	Bronze
Barrel plating	Gold
Spring material	Spring steel
Spring plating	Silver

Family drawing

All measurements are in mm.



Accessories

Other	1097191-H100CR-7.6S1, 1133588-H100WW19-10.0AT, 1107897-H100WW10-2.5S1, 1100025-H100WW05-7.6S1, 1092174-H100WW10-10.0AT
-------	--

Tip style 1

