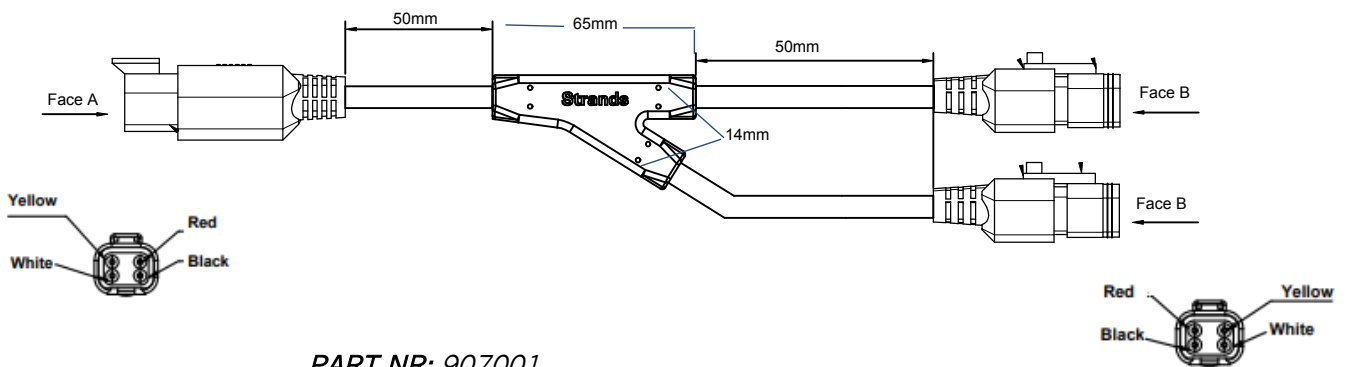


Part No. 907001,907006

STRANDS PRO

CABLE DT-4 SPLIT / DT-6PLUG TO DT-4PIN CONVERTER

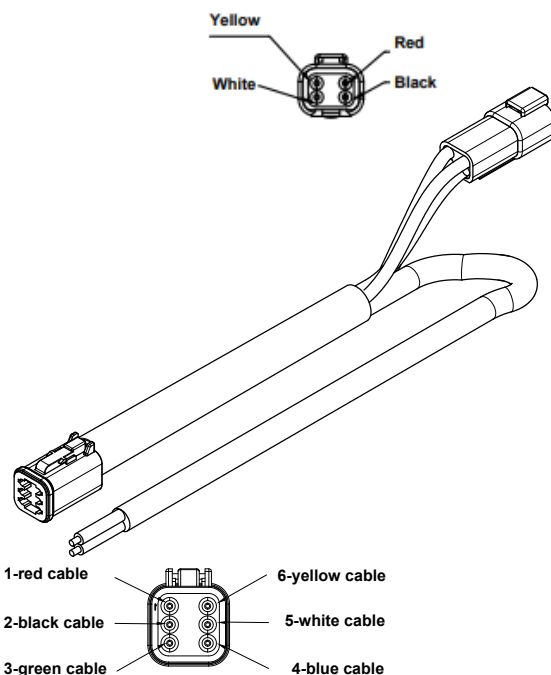
TECHNICAL DRAWING



PART NR: 907001
DT-4PIN SPLIT TO 2X DT-4PLUGS

MAX CONSUMPTION: 150W, AFTER SPLIT 75W EACH

PIN1: RED, PIN 2: BLACK, PIN 3: WHITE, PIN 4: YELLOW



PART NR: 907006
DT-6PLUG TO DT-4PIN CONVERTER

LENGTH: 1600mm
TYPE OF CONNECTION:
DT-6 PLUG
DT-4 PIN
TWO LOOSE CABLE
MAX CONSUMPTION: 150W



- *907001 Cable specification: Face A: Red,Black: 2 mm² (Area)
Yellow, White: 0,5mm² (Area)
Face B: Red,Black: 1.5mm² (Area)
Yellow, White: 0,5mm² (Area)*
- *907006 Cable specification: Red,Black: 2 mm² (Area)
Yellow, White, Blue, Green: 0,82mm² (Area)*

PVC Cables

READ ALL THE INSTRUCTIONS AND STUDY THE DIAGRAMS BEFORE INSTALLING NEW LIGHT!

LEGAL MOUNTING

- Please check state and local laws for proper usage and mounting. Strands will not be responsible for products mounted incorrectly or in violation of local laws (e.g., ECE R48 regulation for the EU)

PRODUCT CARE

- Clean the product with lukewarm water and an alkaline degreaser. Avoid strong chemicals; rinse immediately if exposed. Do not use a pressure washer for cleaning.
- Take care if your light has a breather. Ensure it is protected against rain and dust, especially if it has a sticker breather. Damage to the breather due to incorrect installation will void the warranty.
- Internal moisture is normal and will dissipate through the breather vent after several days of use.
- We do not recommend painting the product housing. If paint is still applied, please ensure the breather is protected and an oven is not used for curing the paint. Otherwise, the warranty might be void.

INSTALLATION

- Ensure power is turned off during installation.
- Do not cut the connector cable to less than 50 cm. If the original cable is already shorter than 50 cm, leave it as is. Otherwise, the warranty will be void.
- Make sure to use only the correct accessories included in the package. Installation errors may void the warranty.
- Tighten screws, washers, and nuts to prevent them from loosening or chafing. Do not overtighten screws to avoid damaging the product's protective components.
- Use a watertight solution for wiring connections.

WARNING!

- For safe operation, use only the voltage specified in the product description. This light becomes hot under continuous use. Do not remove or touch the casing for at least 30 minutes after turning the lamp off

Contact us if you need support: support@strands.se or +46(0)320-450450
Please also refer to the FAQ section on our website for more information.

www.strands.se
www.strandseurope.com

