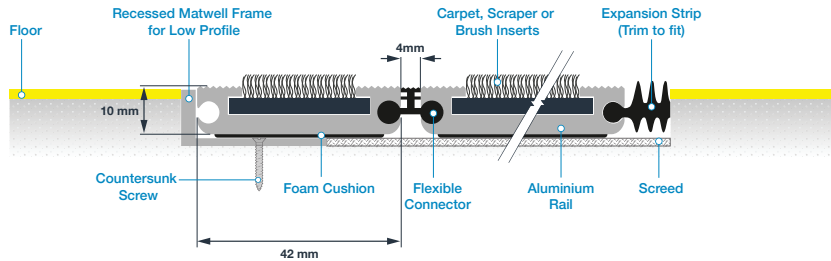


PLAN® A Aluminium Matting

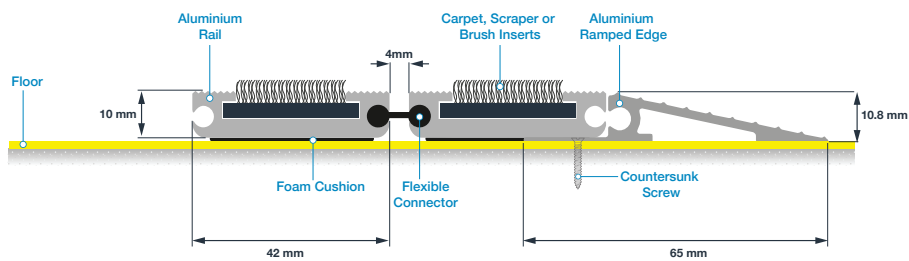
PRODUCT DATASHEET

PLAN® A Aluminium Closed Surface Low Profile Entrance Matting Installed in a recessed well

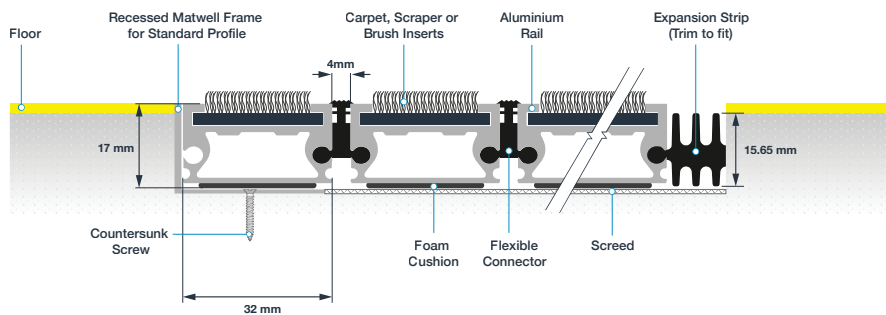


Note: The Closed Surface and Open Surface options are dependent on preference and can be installed in a matwell or floor surface

PLAN® A Aluminium Open Surface Low Profile Entrance Matting Installed on floor and finished with a ramped edge



PLAN® A Aluminium Closed Surface Standard Profile Entrance Matting Installed in a recessed well



Note: The Closed Surface and Open Surface options are dependent on preference and both can be installed in a matwell

PLAN® A Aluminium Open Surface Standard Profile Entrance Matting Installed in a recessed well

