



Sound Gasket® Spec Sheet

STOCK NO.	SIZE	LENGTH	FT/BOX	PCS/BOX
9425	1/2"	5'	300'	96
9420	1"	5'	300'	60

Description: Sound Gasket is a vinyl accessory that provides smoke and sound ratings for both dynamic and static joints. The unique vinyl profile provides a seal along the inside leg to prevent sound flanking along the leg of the slotted and framing screws while the outer bubble gasket will compress to seal against uneven concrete.

- Mechanically or adhesively fastened to the leg of the track. Features a hollow bubble gasket on the upper corner that is easily compressed to seal against uneven concrete or fluted decks. Once properly installed, the Sound Gasket provides an unbreakable seal to provide long-term smoke and sound protection.
- Takes the place of acoustic sealant at building joints.
- Can be used on head-of-wall, bottom-of-wall, and wall-to-wall building joints.
- Tested for air leakage for compliance with Section 713.6 of IBC and CBC.
- Manufactured in a light blue color vinyl that is easily identified by the inspector.
- Installs fully cured, unaffected by water/moisture/temperature.
- Very durable and not easily damaged. Once installed, it will not delaminate, take in water, shrink, or harden over time.
- Installs on both sides of the wall and comes in 5' lengths.
- Can be installed to the track leg before or after fastening the track in place.
- Provides up to 1-1/2" overall unencumbered movement.
- Provides Sound Transmission Classification (STC) ratings up to 67.
- Paintable.
- Provides up to 1 1/2" overall unencumbered movement.

Storage/Warranty:

- When stored indoors and kept dry in its original package and condition, Sound Gasket has an unlimited shelf life.
- 25 Year Limited Warranty – see Trim-Tex Standard Fire, Smoke & Acoustic Product Warranty for details.

Advantages: Made from rust proof, dent resistant PVC to reduce jobsite and handling damage. Installs fully cured and has no installation temperature or humidity restrictions.

Applicable Standards: Rigid PVC products made by Trim-Tex® achieve a Class A rating for flame spread and smoke developed when tested under ASTM E84.

ASTM & Code Standards:

- ASTM E84
- ASTM E90
- L-Rating (air leakage) testing for compliance with International Building Code (IBC) and Canadian Building Code (CBC).
- U.S. Patent No. 10,246,871; 10,753,084; 10,954,670
- Sound Gasket has been tested and approved for the Canadian market.
- CAN/ULC-S115 Standard Method of Fire Tests of Firestop Systems.

Installation Guide

Before Installation:

Install Sound Gasket to the wall framing before hanging drywall. Measure, cut and dry fit the bead.

Step 1:

Remove backing on bottom adhesive foam tape (do not remove tape from top foam tape).

Step 2:

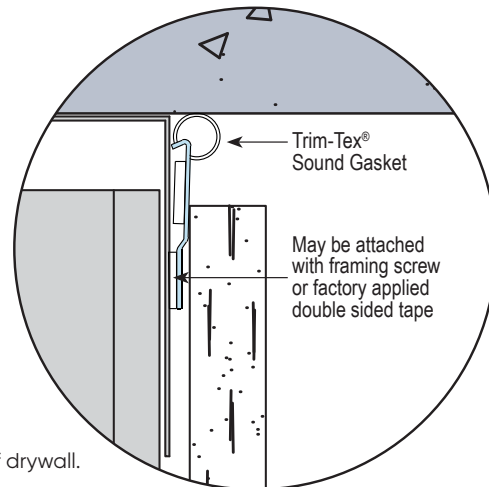
Compress the bubble gasket firmly against the adjoining structure. Pressure the product into place while adhering it to the framing.

Step 3:

Install drywall directly over Sound Gasket per the deflection requirement.

Note:

- To keep the drywall gap consistent, use an appropriately sized spacer on top of drywall.
- If desired, finish top of drywall with L Bead or Tear Away L Bead.
- Sound Gasket can optionally be fastened to the framing using appropriate 1/2" screws through the adhesive foam on its lower leg.
- There should be no gaps left in joints between pieces. Additional sealant may be used at butt joint to ensure seamless joints.



Scan Below for Installation Video

