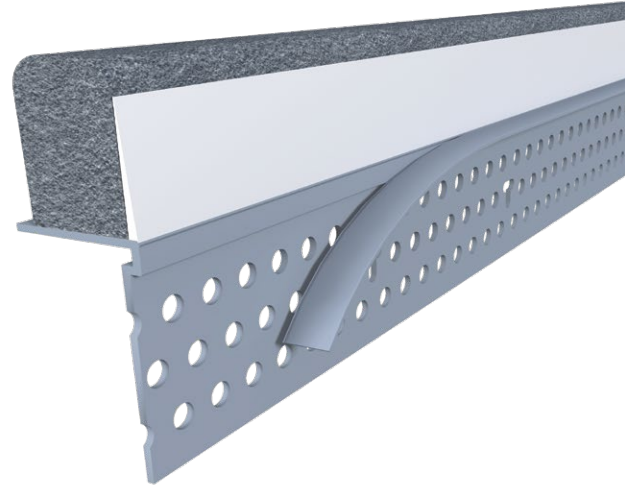


Sound XL Submittal Sheet



STOCK NO.	LENGTH	PCS. PER BOX
9280NT	10'	12

Description: Combining the high-quality finish of a Trim-Tex vinyl bead with the versatility of compressible foam, Sound XL is a powerful all-in-one solution for sealing off head-of-wall joints to deliver high-performance ratings for smoke and sound. The attached foam adapts along uneven surfaces and provides a full 3/4" of building movement, making it an excellent choice for high-rises and other multi-story structures.

Advantages: Made from rust proof, dent resistant PVC to reduce jobsite and handling damage. Installs fully cured and has no installation temperature or humidity restrictions.

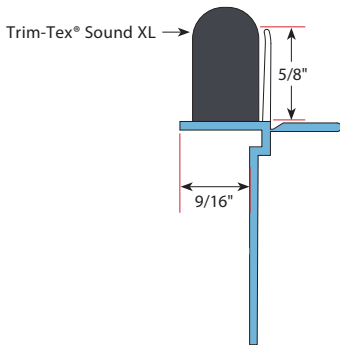
Surface Characteristics: Trim-Tex[®] products are made from PVC.

Installation: Ensure wall sections are built to UL 2079 specifications. Detailed installation instructions can be found at www.trim-tex.com.

Accessories: Safety Products distributed by Trim-Tex[®].

ASTM & Code Standards:

- Sound Tested in accordance with ASTM E90-09
- L-rating per UL 2079 5th Edition
- L-Rating (air leakage) testing for compliance with International Building Code (IBC) and Canadian Building Code (CBC)



Job Name _____

Contractor _____

Date _____

Approvals (Signatures or Stamps)