

Smoke & Sound Stop Spec Sheet



STOCK NO.	A + B SIZE	LENGTH	PCS. PER BOX
SSSB121	1/2" x 1"	5'	68
SSSB11	1" x 1"	5'	40

Description: Smoke & Sound Stop is an easily installed, compressible foam solution for smoke and sound abatement within bottom-wall interior joints that require an STC rating. Unaffected by water, moisture or temperature, Smoke & Sound Stop engineered to remain flexible and effective for the lifetime of the wall assembly.

- Can be used in head of wall, bottom of wall and wall to wall joints.
- Tested for air leakage to comply with IBC, Section 715.8.
- Manufactured in light blue color that is easily identified.
- Provides up to 1/2" of compression and extension.
- Remains flexible.
- Unaffected by water/moisture/temperature.
- Odorless, installs fully cured and will not stain surrounding substrate.
- Easily installs by compressing it into the gap between the board and surrounding structure after the board is attached to the framing.
- Sound tested in accordance to ASTM E90, STC performance equivalent to acoustic sealant.
- Not for use in applications with permanent exposure to direct sunlight.

Storage/Warranty:

- When stored indoors and kept dry in its original package and condition, Smoke & Sound Stop has an unlimited shelf life.
- Sustainable Building Life-Cycle Warranty – see Trim-Tex Firestop Product Warranty for details.

Advantages: Maintains flexibility for the life of the interior building joint and will not shrink or pull away or harden over time. The material is odorless, will not stain, and the open cell composition prevents out-gassing.

ASTM & Code Standards:

- ASTM E84
- ASTM E90
- ASTM G21
- L-rating per UL 2079 5th Edition
- L-Rating (air leakage) testing for compliance with International Building Code (IBC) and Canadian Building Code (CBC)
- U.S. Patent No. 12,428,836

Installation Guide

Before Installation:

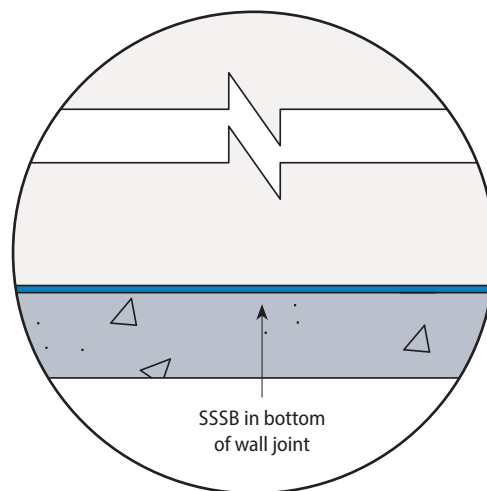
Clean floor surface prior to installation.

Step 1:

Place Smoke & Sound Stop on the floor against the framing.

Step 2:

Place drywall on top of Smoke and Sound Stop, ensuring that it is compressed. Leave a 1/2" to 3/4" gap between the drywall and the floor.



Scan Below for
Installation Video

