

## Fire Gasket® Spec Sheet

STOCK NO.	SIZE	LENGTH	FT/BOX	PCS/BOX
9405	½"	5'	300'	96
9410	1"	5'	300'	60
9415	1½"	5'	250'	50

**Description:** Fire Gasket is a fire rated composite vinyl intumescent accessory that provides fire ratings for both dynamic and static joints with both concrete and fluted deck assemblies according to UL-2079 5th Edition. It is designed to be installed against perimeter framing members: top and bottom tracks and perimeter studs.

- Tested with up to 100% compression AND 100% extension.
- Remains flexible for life of the assembly.
- Can be used in top-of-wall, bottom-of-wall, and vertical joints.
- Can be installed to the track leg before or after attaching the track to the deck.
- Installs fully cured, unaffected by water/moisture/temperature.
- L-rating (smoke rating) of below 1 CFM.
- Provides Sound Transmission Classification (STC) ratings up to 67.
- No additional firestop sealant or spray required over metal deck mineral wool flute fillers.
- Available in pink for use in concealed locations and black for exposed locations.
- Paintable.
- Provides up to 1 ½" overall unencumbered movement.

### Storage/Warranty:

- When stored indoors and kept dry in its original package and condition, Fire Gasket has an unlimited shelf life.
- 25 Year Limited Warranty – see Trim-Tex Standard Fire, Smoke & Acoustic Product Warranty for details.

**Advantages:** Made from rust proof, dent resistant PVC to reduce job-site and handling damage. Does not contain cellulose, a potential food source for mold. Intumescent tape expands when exposed to flame for increased fire protection.

### ASTM & Code Standards:

- ASTM E84
- ASTM E90
- ASTM E1966
- UL 2079 5th Edition
- Cal State Fire (BML) 1451-2376:0004
- UL ER25033-01
- L-Rating (air leakage) testing for compliance with International Building Code (IBC) and Canadian Building Code (CBC).
- UL listings/approvals include: BW-S-0024; BW-S-0053; HW-D-0514; HW-D-0515; HW-D-0518; HW-D-0524; HW-D-0525; HW-D-0550; HW-D-0551; HW-D-0553; HW-D-0554; HW-D-0573; HW-D-0585; HS-D-0587; HW-D-0596; HW-D-0620; HW-D-0621; HW-D-0622; HW-D-0623; HW-D-0624; HW-D-0625; HW-D-0652; HW-D-0653; WW-D-0104; WW-S-0094
- U.S. Patent No. 10,246,871; 10,753,084; 10,954,670
- Fire Gasket has been tested and approved for the Canadian market.
- CAN/ULC-S115 Standard Method of Fire Tests of Firestop Systems.

## Installation Guide

### Before Installation:

Install Fire Gasket to the wall framing before hanging drywall. Measure, cut and dry fit the bead.

### Step 1:

Remove backing on adhesive foam tape.

### Step 2:

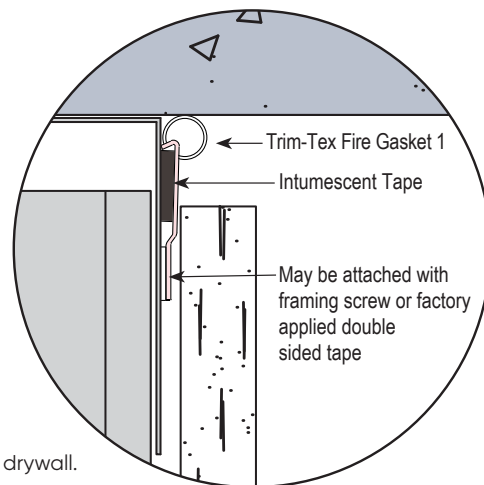
Compress the bubble gasket firmly against the adjoining structure. Pressure the product into place while adhering it to the framing.

### Step 3:

Install drywall directly over Fire Gasket per the deflection requirement allowed by the required UL joint system reports.

### Note:

- To keep the drywall gap consistent, use an appropriately sized spacer on top of drywall.
- If desired, finish top of drywall with L Bead or Tear Away L Bead.
- Fire Gasket can optionally be fastened to the framing using appropriate ½" screws through the adhesive foam on its lower leg.
- There should be no gaps left in joints between pieces. Additional sealant may be used at butt joint to ensure seamless joints.



Scan Below for Installation Video

