

Inside/Outside Corner Angle Submittal Sheet



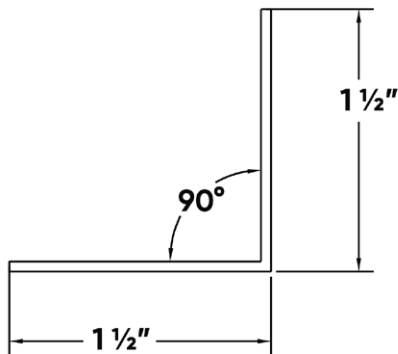
STOCK NO.	LENGTH	PCS. PER BOX
223	10'	50

Description: Inside/Outside Corner Angle is made to deliver crisp, consistent corners at inside or outside transitions. Built from durable, rust-proof PVC, it resists impact and helps manage moisture where two planes meet.

Advantages: Made from exterior grade PVC. Provides a high impact resistant, rust-proof termination corner.

Applicable Standards: Rigid exterior grade PVC products made by Trim-Tex meet ASTM specifications C926, C1063, C1780, C1861, D1784 and D4216.

Installation: Trim-Tex recommends following established acceptable industry standard installation methods. All butt joints, intersections, and ends should be caulked at the time of installation using elastomeric sealant. When painting Trim-Tex Exterior products, please refer to our painting resources to ensure proper performance and prevent product defects such as warping, oil canning, and buckling.



Job Name _____

Contractor _____

Date _____

Approvals (Signatures or Stamps)