



Hard Coat TRAC[™] for Base of CI Wall Submittal Sheet

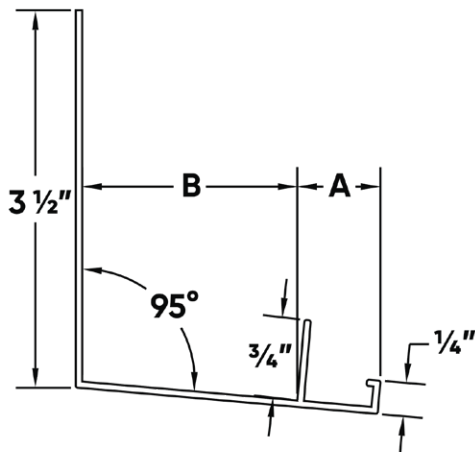
STOCK NO.	A SIZE	B SIZE	LENGTH	PCS. PER BOX
STCI-15-75	3/4"	1 1/2"	10'	15
STCI-2-75	3/4"	2"	10'	15
STCI-15-78	7/8"	1 1/2"	10'	15

Description: Hard Coat TRAC for Base of CI Wall combines a weeped Starter TRAC and finishing bead into one easy-to-install piece. Made for the base of hard coat CI walls, it's lightweight, time-saving and built from durable, exterior-grade PVC. Designed specifically for use at the base of walls with three-coat stucco finishes, this profile delivers a clean edge and dependable drainage in one step.

Advantages: Made from exterior grade PVC. Provides a high impact resistant, rust-proof termination corner.

Applicable Standards: Rigid exterior grade PVC products made by Trim-Tex meet ASTM specifications C926, C1063, C1780, C1861, D1784 and D4216.

Installation: Trim-Tex recommends following established acceptable industry standard installation methods. All butt joints, intersections, and ends should be caulked at the time of installation using elastomeric sealant. When painting Trim-Tex Exterior products, please refer to our painting resources to ensure proper performance and prevent product defects such as warping, oil canning, and buckling.



Job Name _____

Contractor _____

Date _____

Approvals (Signatures or Stamps)