

Extreme Moisture Starter TRAC[™] Submittal Sheet



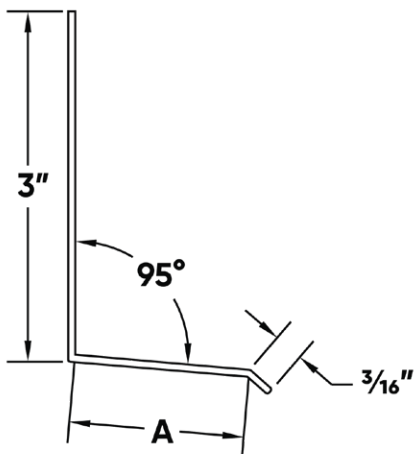
STOCK NO.	A SIZE	LENGTH	PCS. PER BOX
SB-EMT1	1"	10'	30
SB-EMT15	1 1/2"	10'	30
SB-EMT2	2"	10'	30

Description: Extreme Moisture Starter TRAC[™] is made to perform in harsh, wet conditions. The 3" back flange and sloped front edge work together to direct water away from the base of your wall, keeping your system dry from the ground up. A smart, durable choice for walls that need extra moisture protection.

Advantages: Made from exterior grade PVC. Provides a high impact resistant, rust-proof termination corner.

Applicable Standards: Rigid exterior grade PVC products made by Trim-Tex meet ASTM specifications C926, C1063, C1780, C1861, D1784 and D4216.

Installation: Trim-Tex recommends following established acceptable industry standard installation methods. All butt joints, intersections, and ends should be caulked at the time of installation using elastomeric sealant. When painting Trim-Tex Exterior products, please refer to our painting resources to ensure proper performance and prevent product defects such as warping, oil canning, and buckling.



Job Name _____

Contractor _____

Date _____

Approvals (Signatures or Stamps)