

Kit Contents:

- 5 - Balusters for Arc and Baroque
- 10 - Balusters for Traditional
- 20 - Color-matched screws for Arc and Baroque
- 40 - Color-matched screws for Traditional
- 20 - Baluster end caps for Traditional (2.5 balusters required per linear foot of railing)

Items You Will Need:

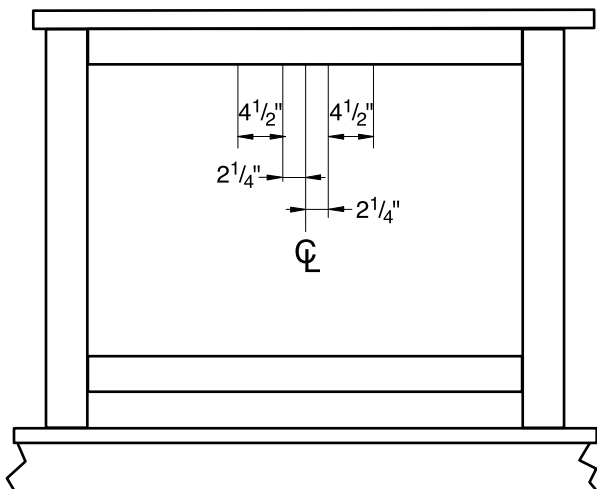
- Drill driver
- Tape measure
- 2-pt. square head drill bit
- Safety glasses
- Carpenter's pencil
- Clamps
- Support blocks (can be cut from scrap rail material)

Installation Instructions:

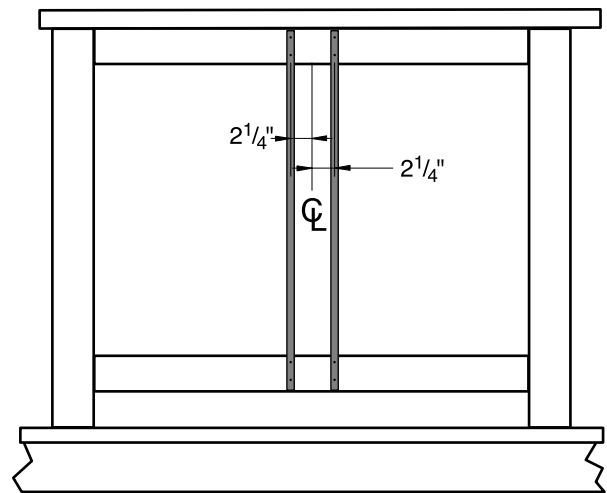
INLINE RAILING

Prior to construction, check with your local regulatory agency for special code requirements in your area. Common railing height is 36". Structural support should come from either the continuation of deck support posts that extend up through the deck floor or from railing posts that are bolted to the inside of the rim or outer joist. **6' on-center post spacing is recommended. Never span more than 8' on-center between railing posts.**

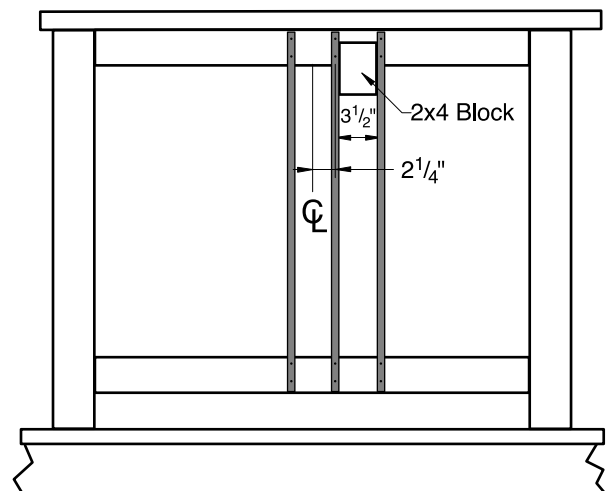
Step 1: Attach top and bottom rails to posts according to local building codes. The distance from the deck surface to the top of the rail is typically 36". Use a baluster as a guide to determine placement of the bottom rail. Find the center of the top and bottom rails and mark. Rail length $\div 2 =$ center of rail.



Step 2: The baluster spacing is 4-1/2" on-center and equal spacing for the end spacing. For posts set at 6' on-center, attach the first two balusters 2-1/4" on-center each side of the center line using four of the screws provided. Use the plastic washers when using treated lumber, to prevent direct contact. Place the washer in between the rail and baluster. When using Traditional balusters, install the end caps on the hollow ends of each baluster prior to installing the balusters on the rail.

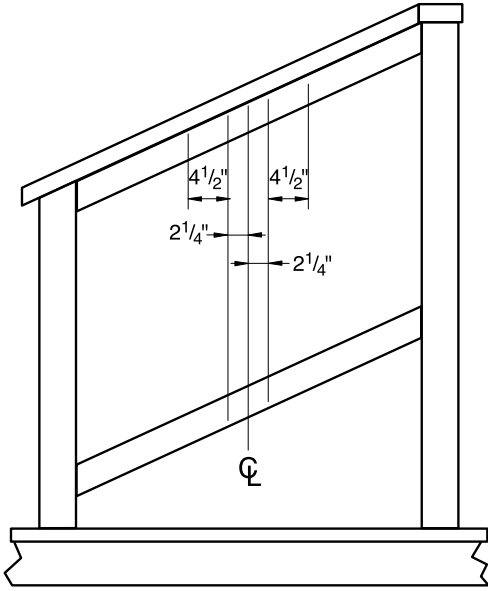


Step 3: Use a section of 2x4 to space the next baluster 3-1/2" from the first. Attach the rest of the balusters using the 2x4 as a spacer block. Cut two support blocks from the wood or composite railing material you're using. Glue support blocks to the bottom of the lower rail an equal distance from each post.

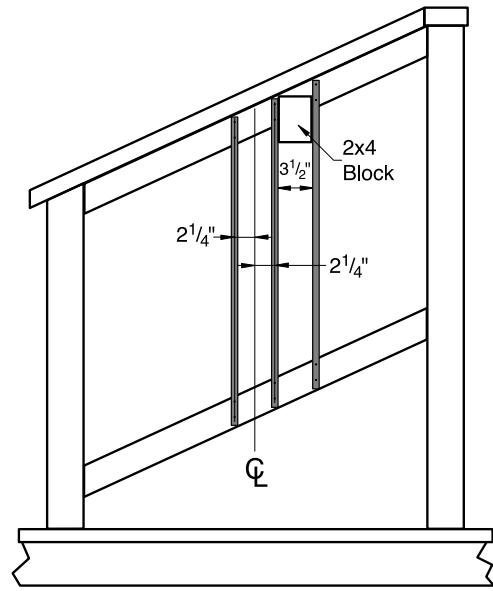


STAIR RAILING

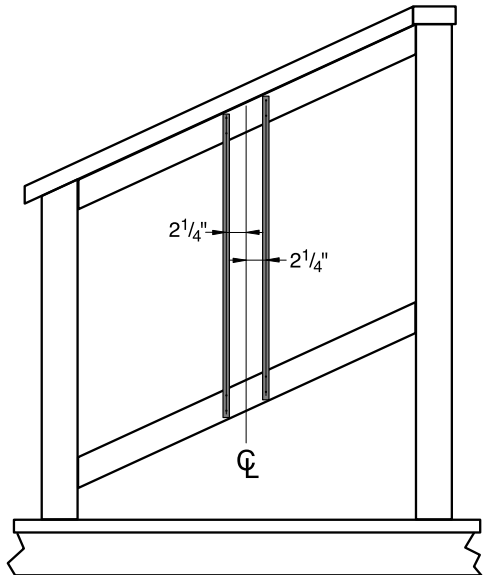
Step 1: Attach top and bottom stair rails to posts according to local building codes. The distance from the stair tread to the top of the rail is typically 36". Use a baluster as a guide to determine placement of the bottom rail. Find the center of the top and bottom rails and mark. Rail length \div 2 = center of rail.



Step 3: Use a section of 2x4 to space the next baluster 3-1/2" from the first. Attach the rest of the balusters using the 2x4 as a spacer block.



Step 2: The baluster spacing is 4-1/2" on-center and equal spacing for the end spacing. For posts set at 6' on-center, attach the first two balusters 2-1/4" on-center each side of the center line using four of the screws provided. Use the plastic washers when using treated lumber, to prevent direct contact. Place the washer in between the rail and baluster.



THE DIAGRAMS AND INSTRUCTIONS IN THIS BROCHURE ARE FOR ILLUSTRATION PURPOSES ONLY AND ARE NOT MEANT TO REPLACE A LICENSED PROFESSIONAL. ANY CONSTRUCTION OR USE OF THE PRODUCT MUST BE IN ACCORDANCE WITH ALL LOCAL ZONING AND/OR BUILDING CODES. THE CONSUMER ASSUMES ALL RISKS AND LIABILITY ASSOCIATED WITH THE CONSTRUCTION OR USE OF THIS PRODUCT. THE CONSUMER OR CONTRACTOR SHOULD TAKE ALL NECESSARY STEPS TO ENSURE THE SAFETY OF EVERYONE INVOLVED IN THE PROJECT, INCLUDING, BUT NOT LIMITED TO, WEARING THE APPROPRIATE SAFETY EQUIPMENT. EXCEPT AS CONTAINED IN THE WRITTEN LIMITED WARRANTY, THE WARRANTOR DOES NOT PROVIDE ANY OTHER WARRANTY, EITHER EXPRESS OR IMPLIED, AND SHALL NOT BE LIABLE FOR ANY DAMAGES, INCLUDING CONSEQUENTIAL DAMAGES.