

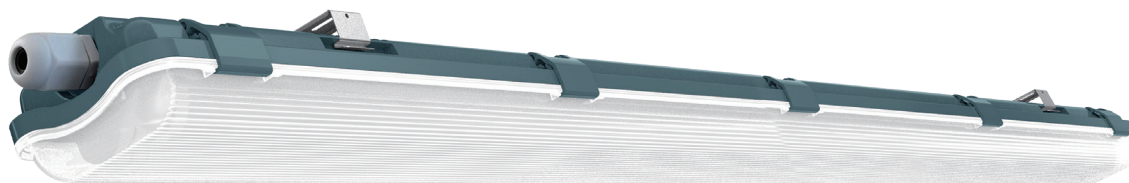


Meaningful Innovation.

WEEE Number: 80133970

## INSTRUCTION MANUAL

LED WATERPROOF FITTING  
WITH V-TAC LED TUBES



**IP65**  
RATING

**02** YEAR  
WARRANTY\*

### TECHNICAL DATA

MODEL	VT-12023	VT-15022
SKU	6387, 6399	6388, 6400
POWER	2x18W (Tubes)	2x20W (Tubes)
LUMENS	1850 lm x 2 (Tubes Lumens)	2100 lm x 2 (Tubes Lumens)
BEAM ANGLE	120°	120°
CRI	>80	>80
DF	≥0.7	≥0.7
INPUT VOLTAGE	AC: 220-240V, 50Hz	AC: 220-240V, 50Hz

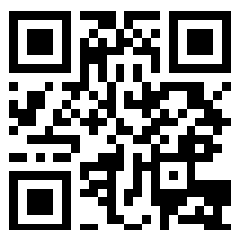
DRIVER MA (Input Current)	140mA	157mA
CLIP NUMBER	10	12
OPERATIONAL TEMPERATURE	-20°C to +40°C	-20°C to +40°C
LIFE SPAN	20,000 Hours	20,000 Hours
ON/OFF CYCLE	10,000 Times	10,000 Times
MATERIAL	PC+ABS	PC+ABS
DIMENSION	1276x96x58 mm	1576x96x58mm

### INTRODUCTION & WARRANTY

Thank you for selecting and buying V-TAC product. V-TAC will serve you the best. Please read these instructions carefully before starting the installing and keep this manual handy for future reference. If you have any another query, please contact our dealer or local vendor from whom you have purchased the product. They are trained and ready to serve you at the best. The warranty is valid for 2 years from the date of purchase. The warranty does not apply to damage caused by incorrect installation or abnormal wear and tear. The company gives no warranty against damage to any surface due to incorrect removal and installation of the product. The products are suitable for 10-12 Hours Daily operation. Usage of product for 24 Hours a day would void the warranty. This product is warranted for manufacturing defects only.

### WARNING

1. Please make sure to turn off the power before starting the installation.
2. Installation must be performed by a qualified electrician.
3. If the external flexible cable or cord of this luminaire is damaged, it shall be exclusively replaced by the manufacturer or his service agent or a similar qualified person in order to avoid a hazard.
4. Terminal block not included. To be connected with Waterproof Cable Hose
5. For indoor use and outdoor use.



#### MULTI-LANGUAGE MANUAL QR CODE

Please scan the QR code  
to access the manual in  
multiple languages.



FR

Cet appareil,  
ses accessoires  
et cordons  
se recyclent

À DÉPOSER  
EN MAGASIN



À DÉPOSER  
EN DÉCHÈTERIE



Points de collecte sur [www.quefairedemesdechets.fr](http://www.quefairedemesdechets.fr)  
Privilégiez la réparation ou le don de votre appareil !

IN CASE OF ANY QUERY/ISSUE WITH THE PRODUCT, PLEASE REACH OUT TO US AT: SUPPORT@V-TAC.EU  
FOR MORE PRODUCTS RANGE, INQUIRY PLEASE CONTACT OUR DISTRIBUTOR OR NEAREST DEALERS.  
V-TAC EUROPE LTD. BULGARIA, PLOVDIV 4000, BUL.L.KARAVELOW 9B

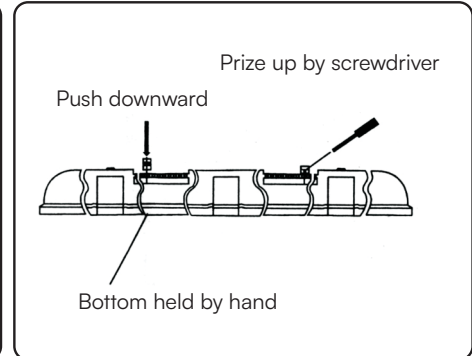
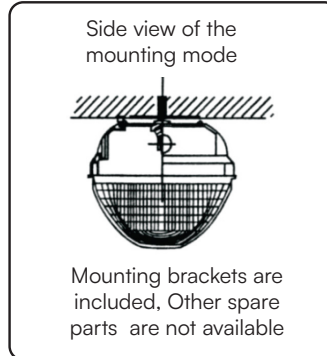
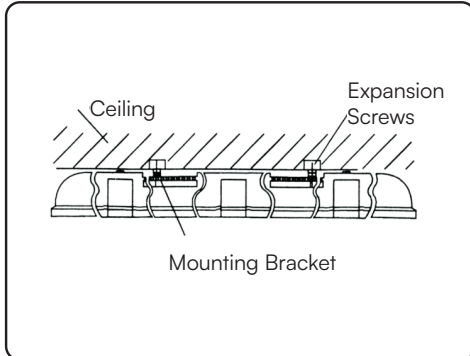


Caution, risk of electric shock.

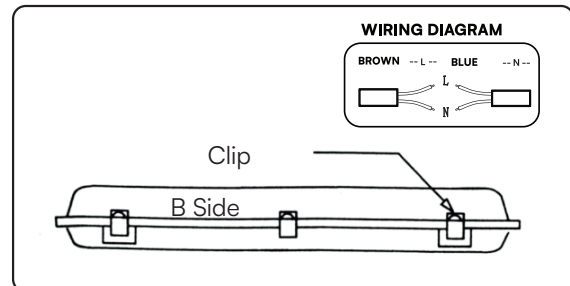
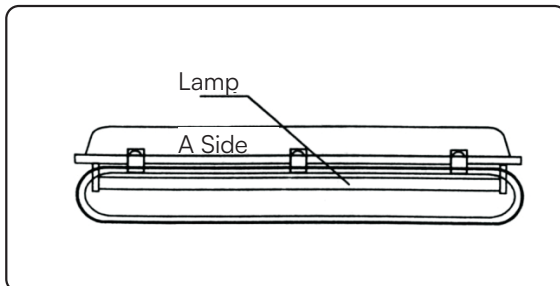
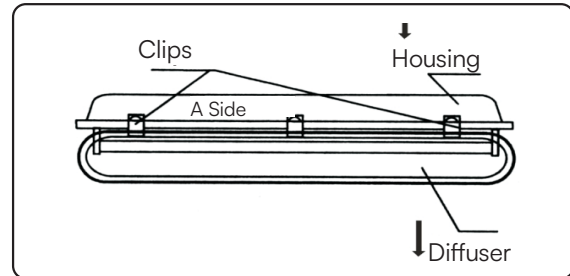
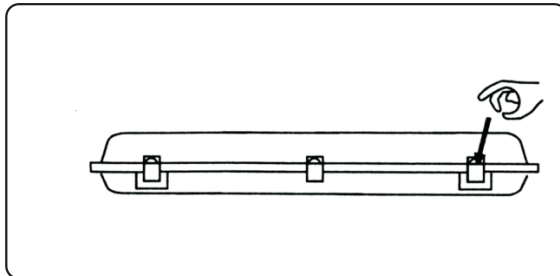


This marking indicates that this product should not be disposed of with other household wastes.

## MOUNTING BRACKET INSTALLATION



## INSTALLATION DIAGRAM



## INSTALLATION INSTRUCTIONS

- STEP 1: Slip open the clips
- STEP 2: Open the diffuser
- STEP 3: Install or replace the tubes.
- STEP 4: Close the diffuser & ensure the fitting is locked properly using the Clips.

## LAMP REPLACEMENT INSTRUCTION

Unlock the clips and open the diffuser to replace or install the tubes.

**NOTE:** The starter is not required for this product. It offers the convenience of direct installation, and the necessary tubes are included in the package.

**V-TAC WEST EUROPE LTD.** IN CASE OF ANY QUERY/ISSUE WITH THE PRODUCT, PLEASE REACH OUT TO US AT: SUPPORT@V-TAC.EU  
FOR MORE PRODUCTS RANGE, INQUIRY PLEASE CONTACT OUR DISTRIBUTOR OR NEAREST DEALERS.  
V-TAC WEST EUROPE LTD. GROUND FLOOR, 71 LOWER BAGGOT STREET, DUBLIN O2, IRELAND DO2 P593

**V-TAC UK LTD.** IN CASE OF ANY QUERY/ISSUE WITH THE PRODUCT PLEASE REACH OUT TO US AT  
SUPPORT@VTACEXPORTS.COM V-TAC, 5A TUNGSTEN PARK, DOWNS ROAD, WITNEY, OXFORDSHIRE, OX29 OAX

