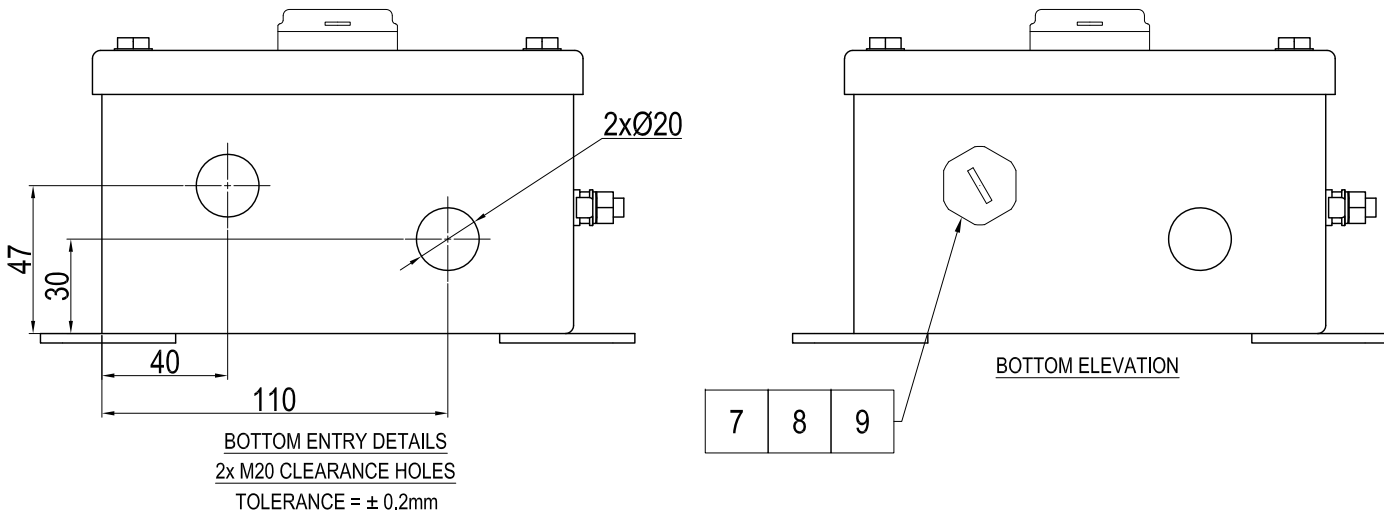
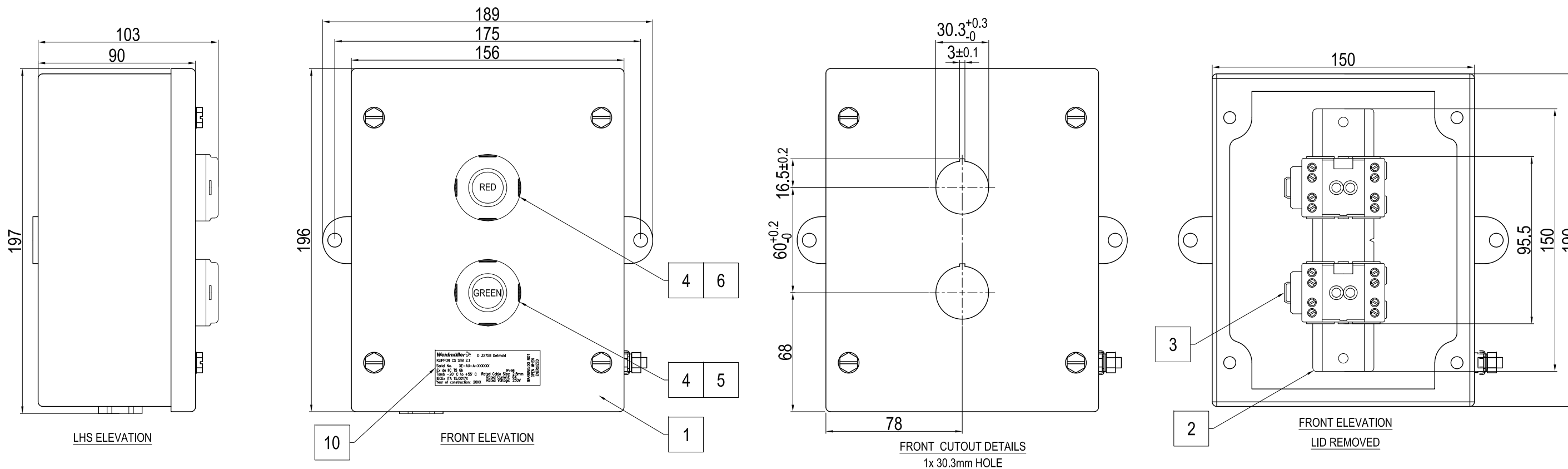


NOTES:

- 1. TERMINAL RAIL WILL NEED TO BE NOTCHED TO FIX THE CONTACT BLOCK ON THE RAIL.



ITEM	PART No.	QTY	DESCRIPTION
10	-	1	ALUMINIUM FOIL CERTIFICATION LABEL
9	1736240000	1	GWDR M20-NP SEALING WASHER
8	1736930000	1	SKMU M20 K BLACK - LOCK NUT
7	1737080000	1	VP M20-EXE SW - EX RATED PLASTIC BLANKING PLUG
6	7940129471	1	P000-21 RED BUTTON TAB
5	7940129470	1	P000-01 GREEN BUTTON TAB
4	7940129469	2	CZ4000-P1 MOMENTARY PUSHBUTTON
3	4000003904	2	CZ0201-60SL SWITCH DIN-RAIL MOUNTED 1x N/O & 1x N/C CONTACTS
2	0236400000	1	RAIL TS 35X15 (150mm LENGTH)
1	1002730000	1	KLIPPON STB 2.1 SS

ALL DIMENSIONS ARE IN MILLIMETRES UNLESS OTHERWISE STATED

REV.	DATE	DRAWN	CHECKED	REVISION
D	25/06/24	A.P.	S.M.	UPDATED LABEL DETAILS
C	29/09/23	A.P.	S.M.	UPDATED LABEL DETAILS & CHANGED TERMINAL RAIL
B	29/05/23	A.P.	S.M.	APPROVED FOR CONSTRUCTION (P. OVERTON PA)
A	23/05/23	A.P.	S.M.	ISSUED FOR APPROVAL

Weidmüller

WEIDMULLER PTY. LTD.
 ABN 98 000938 590
 43 HUNTINGWOOD DRIVE, HUNTINGWOOD NSW 2148
 P.O. BOX 6944 BLACKTOWN NSW 2148 AUSTRALIA
 TELEPHONE: +61 (02) 9671 9999 FACSIMILE: +61 (02) 9671 9911
 EMAIL: info@weidmuller.com.au

DRAWN	A.PASALODOS	TITLE	WEIDMULLER AUSTRALIA PTY LTD START STOP EX DE STB 2.1 GENERAL ARRANGEMENT		DRAWING No.	8000117789	
DATE	23/05/2023	CHECKED	S.MORT				
APPROVED	S.MORT						
SCALE	NIS	PART No.	8000117789		REVISION	D	
				THE COPYRIGHT OF THIS DOCUMENT IS RESERVED TO WEIDMULLER PTY. LTD., AND THE INFORMATION CONTAINED HEREIN IS CONFIDENTIAL. IT IS ISSUED ON THE CONDITION THAT IT IS NOT DISCLOSED TO A THIRD PARTY WITHOUT THE CONSENT IN WRITING FROM WEIDMULLER PTY. LTD.			
					SHEET 1 OF 1	A3	